



# LOC-MASTER®

## SAFETY LOCK OUT & EXHAUST AIR VALVES MANUAL & ELECTRIC

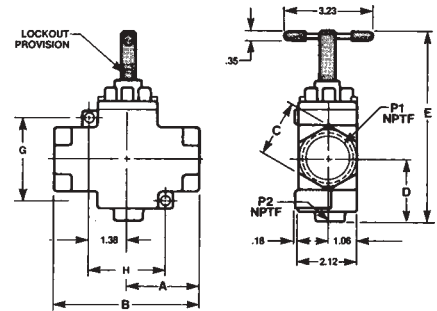
SIZES AVAILABLE: 3/8, 1/2, 3/4, 1, 1 1/4, 2 & 2-1/2" NPTF



### Operation- Loc-Master (LM)

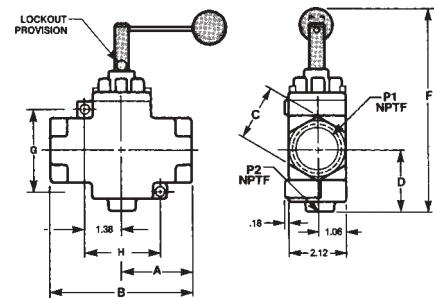
Push handle in and one quarter turn to detent - inlet open to outlet, exhaust blocked.

One quarter turn of operating stem from detent position allows valve to spring return, shutting off supply and simultaneously exhausts downstream air not trapped by some other system component



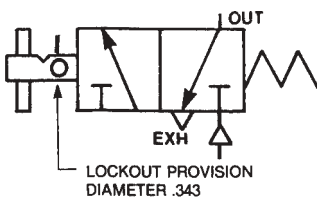
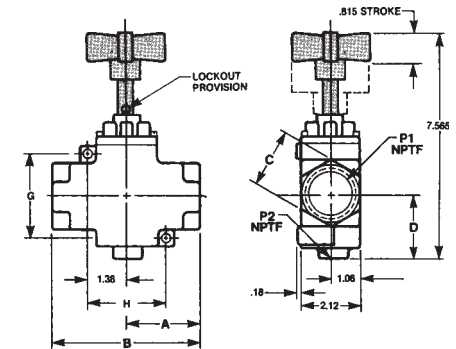
### Operation- Quick Loc-Master (QLM)

Quick Loc-Master with ball handle operates same as above (LM) except actuation and de-actuation take place in 45° increments to allow for even quicker shut off.



### Operation- Slow Loc-Master (SLM)

Slow Loc-Master is designed to allow operator to control rate of air flow when charging or exhausting a pneumatic system. Three full turns of knob are required to open valve fully and three full turns in opposite direction to close valve and exhaust downstream air. After system is charged, valve should always be placed in full open position for best operation.



Loc-Master has long been industry's first choice in safety bleed valves; available in 3/8, 1/2, 3/4, 1 & 1-1/4 NPTF sizes. All valves have telescoping handle and provision for locking in off position only.

### Specifications

- 0 - 150 psig
- 40 Micron Filtration
- Viton Seals
- 40° to 180° F

### Flow Data

		S.C.F.M. ATMOSPHERE	
NPT	Cv	@ 80 P.S.I.G. WEIGHT	
3/8	4.2	191	1 lb. 8 oz.
1/2	5.3	242	1 lb. 8 oz.
3/4	11	495	2 lb.
1	14	647	2 lb.
1-1/4	14	647	2 lb.

### INSTALLATION DATA (in inches)

MODEL NUMBER	P1 NPTF IN-OUT	P2 NPTF	A	B	C	D	E	F	G	H	I	J
LM37 QLM 37 -	3/8	1/4	2.08	4.16	1.37	1.60	5.75	6.00	2.125	2.625	1.312	.15
LM50 QLM 50 -	1/2	1/4	2.08	4.16	1.37	1.60	5.75	6.00	2.125	2.625	1.312	.15
LM75 QLM 75 SLM 75	3/4	1/2	2.72	5.43	2.12	2.39	6.90	6.90	2.719	2.686	1.343	.18
LM100 QLM 100 SLM 100	1	1/2	2.72	5.43	2.12	2.39	6.90	6.90	2.719	2.686	1.343	.18
LM125 QLM 125 SLM 125	1-1/4	1/2	2.72	5.43	2.12	2.39	6.90	6.90	2.719	2.686	1.343	.18



**ALKON**

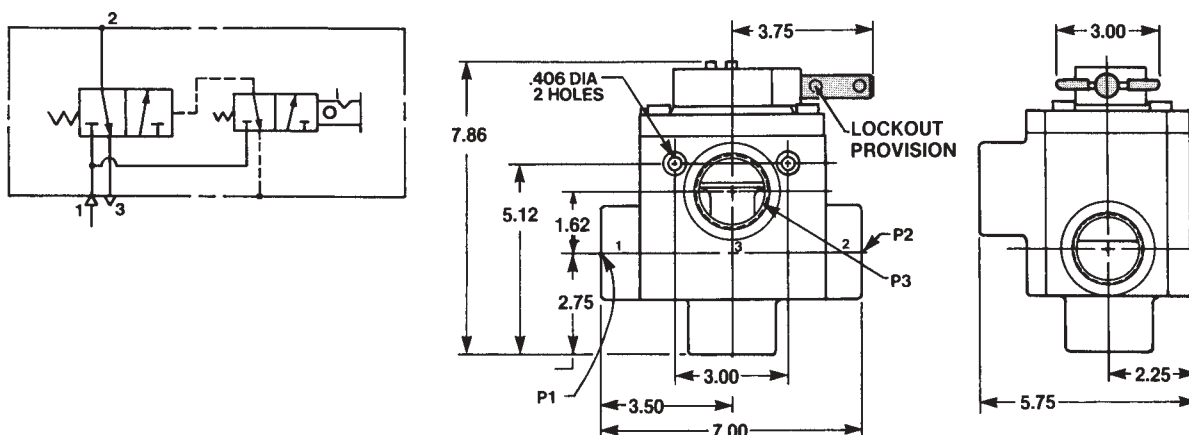
## MINI BAZOOKA LOC-MASTER®

Mini Bazooka and Big Bazooka Loc-Master valves are ported 1, 1-1/4, 1-1/2, 2 and 2-1/2 NPTF to be used as system supply valves and in applications requiring high air flow capacity. The valves are 3-way normally closed and operated by integral manual pilot valves. The pilot valves can be locked in the off position only.

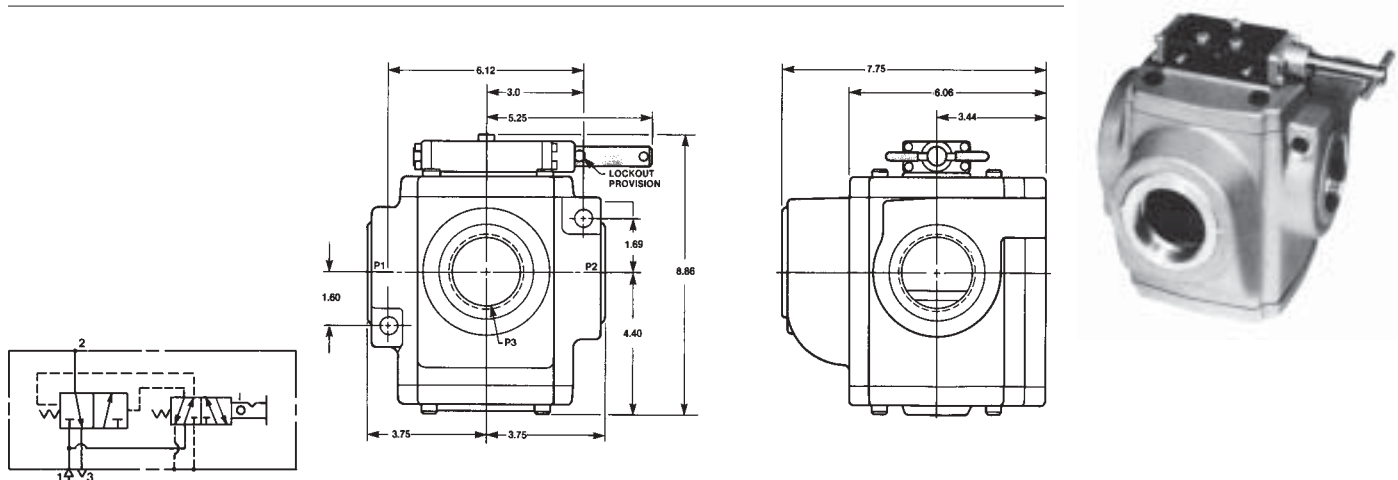


### Operation

Push handle in and one quarter turn to detent port 1 open to port 2, port 3 is blocked. One quarter turn of handle from detent allows valve to spring return shifting off port 1 and opening port 2 to port 3 exhaust downstream air (not trapped by some other system component).



## BIG BAZOOKA LOC-MASTER®



### Specifications

- 30 - 150 psig
- 40 Micron Filtration
- Viton Seals
- 40° to 180° F

Model No.	Port Size NPTF			Cv	Max. SCFM @80 P.S.I.G.
	1	2	3		
MB045-31-10	1	1	1-1/2	24.2	1137
MB045-31-12	1-1/4	1-1/4	1-1/2	34.2	1612
MB045-31-15	1-1/2	1-1/2	1-1/2	34.2	1612
BB045-31-15	1-1/2	1-1/2	1-1/2	44.0	2071
BB045-31-20	2	2	2	51.0	2397
BB045-31-25	2-1/2	2-1/2	2-1/2	51.0	2397

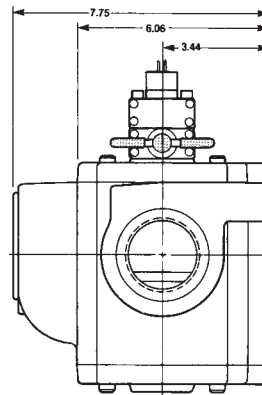
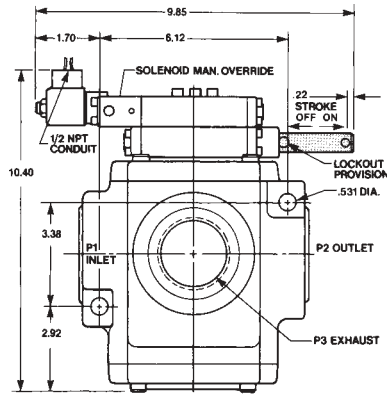
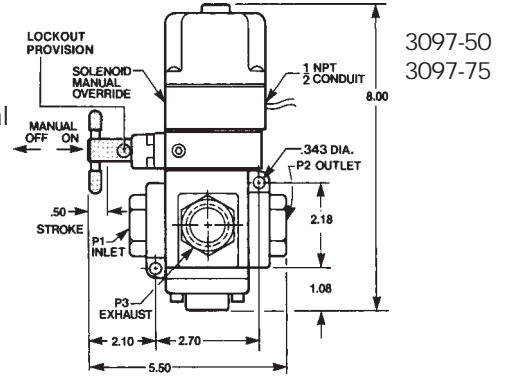


# "ELECTRO-LOC" LOC-MASTER®

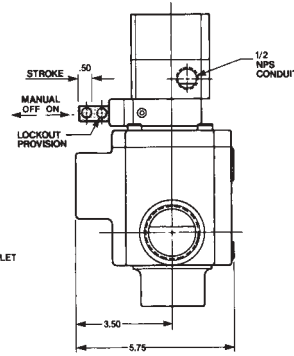
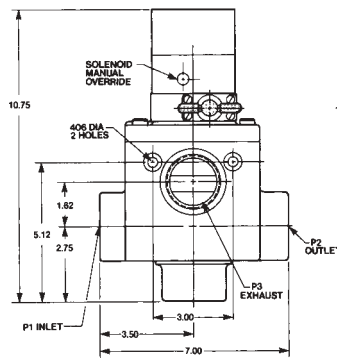
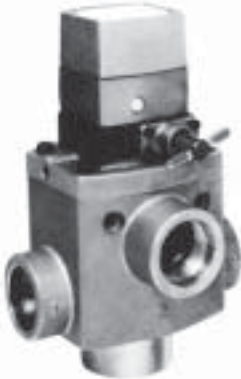


The newest lockout valves from Alkon provides a manual lock out feature on 3-way solenoid valves. Both manual and solenoid pilot actuator must be operated for valve to open. Shutting off either manual or solenoid operator causes valve to shift to off position blocking inlet and exhausting downstream air. Manual actuator may be locked off to prevent valve operation.

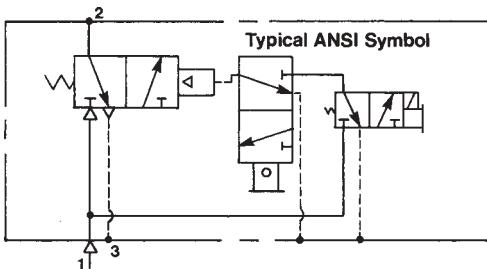
Available in port sizes 1/2, 3/4, 1, 1-1/4, 1-1/2, 2 and 2-1/2 NPTF.



3097-112  
3097-200  
3097-250



3097-100  
3097-125  
3097-150



Model No.	Port Size NPTF			Cv	Max. SCFM @80 P.S.I.G.
	1	2	3		
3097-50	1/2	1/2	1/2	5.2	244
3097-75	3/4	3/4	3/4	5.7	268
3097-100	1	1	1-1/2	24.2	1137
3097-125	1-1/4	1-1/4	1-1/2	34.2	1612
3097-150	1-1/2	1-1/2	1-1/2	34.2	1612
3097-112	1-1/2	1-1/2	2-1/2	44.0	2071
3097-200	2	2	2	51.0	2397
3097-250	2-1/2	2-1/2	2-1/2	51.0	2397

## Specifications

- 30 - 150 psig
- 40 Micron Filtration
- Viton Seals
- 40° to 180° F

# MINI BAZOOKA

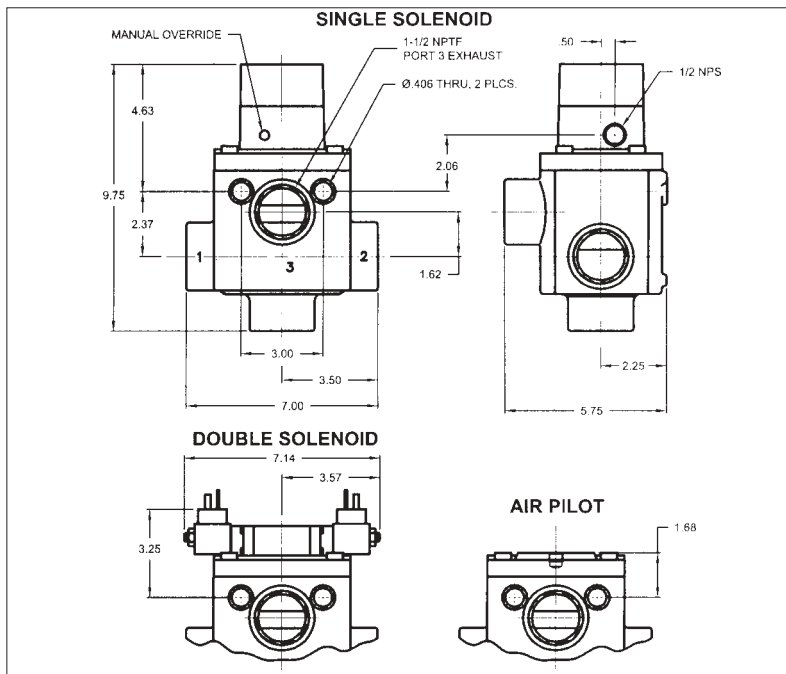


MINI BAZOOKA is a 3-Way, 2-Position High Flow Air Valve - designed and built for tough industrial applications. We call it "Mini" because it's a smaller version of the popular industry veteran, the BIG BAZOOKA.



- **HIGH FLOW RATE:** over 34Cv
- **LOW BREAKOUT FRICTION:** Alkon "Thin Lip" Seals virtually eliminate breakout friction insuring rapid response... even at low pressure.
- **VERSATILITY:** Can be piped to provide six different functions. Use MINI BAZOOKA for 2-Way, 3-Way, selector and diverter applications. It can be externally piloted for vacuum or low pressure service. Porting options, operator options, and mounting options make MINI BAZOOKA the most versatile valve of it's type.

## DIMENSIONAL DATA



## SOLENOID DATA

	120/60 Hz	24VDC
IN RUSH	.25 amps	.5 amps
HOLDING	.11 amps	.5 amps

## AIR FLOW DATA

PORT SIZE 1 & 2	1 NPTF		1-1/4 NPTF		1-1/2 NPTF	
	IN TO OUT	OUT TO EXHAUST	IN TO OUT	OUT TO EXHAUST	IN TO OUT	OUT TO EXHAUST
<b>NORMALLY CLOSED</b>						
<b>Cv</b>	24.2	24.2	34.3	33.0	34.3	33.0
<b>MAX FLOW SCFM @ 80 PSIG</b>	1139	1139	1610	1549	1610	1549

## REPAIR PARTS

SOLENOID PILOT		VALVE BODY		
Complete Solenoid Pilot Assy. - Non Locking	91A20085	Spool Assy. with Seals	N.C. 90A20158	N.O. 90A20159
Solenoid Assy.	09A01033	O'Rings	08A01064	08A01074
Coil	26A01000	Spring	07A01077	



# MINI BAZOOKA ORDERING INFORMATION

## EXAMPLE

**MB 331 - 31 - 12 - L - 1**

### PILOT VALVE OPERATORS

- SINGLE SOLENOID with non-locking manual override spring return..... 331
- DOUBLE SOLENOID (Momentary Contact)..... 332
- AIR PILOT spring return (Momentary Contact)..... 031
- DOUBLE AIR PILOT (Momentary Contact)..... 032
- LOC-MASTER safety Bleed Valve ..... 045

\*Non Locking Manual Override Standard on Solenoid Valves

### MAIN VALVE OPTIONS

- 2-WAY - Normally Closed (3 Port Plugged)..... 21
- 2-WAY - Normally Open (3 Port Plugged)..... 22
- 3-WAY - Normally Closed..... 31
- 3-WAY - Normally Open..... 32
- See Piping Instructions - Shown Below

### PORT SIZE DESIGNATION

- 1 NPTF..... 10
- 1-1/4 NPTF..... 12
- 1-1/2 NPTF..... 15

### OPTIONAL

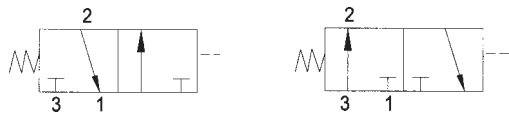
Locking Manual Override..... L

Voltages & Cycles..... specify

- Standard Voltages
- 1= 120/60
- 2= 12VDC
- 3= 24/60
- 4= 240/60
- 5= 24VDC
- 6= 120VDC

## MAIN VALVE BODY DATA

### ANSI SYMBOLS



3 Way N.C.

3 Way N.O.

- Valve may be mounted in any position
- Dynamic Seals..... Viton
- Maximum Operating Pressure..... 125 psig
- Minimum Operating Pressure..... 30 psig
- Media..... Air only
- External Pilot Available for Low Pressure/Vacuum Applications (specify)
- Shipping Weight Approx. 12 lbs.

### PIPING ARRANGEMENTS

APPLICATION	PORT #1	PORT #2	PORT #3
3-Way Normally Closed	Supply	Outlet	Exhaust
3-Way Normally Open	Supply	Outlet	Exhaust
2-Way Normally Closed	Supply	Outlet	Plugged
2-Way Normally Open	Supply	Outlet	Plugged
LOC-MASTER 3-Way Normally Closed - Only	Supply	Outlet	Exhaust



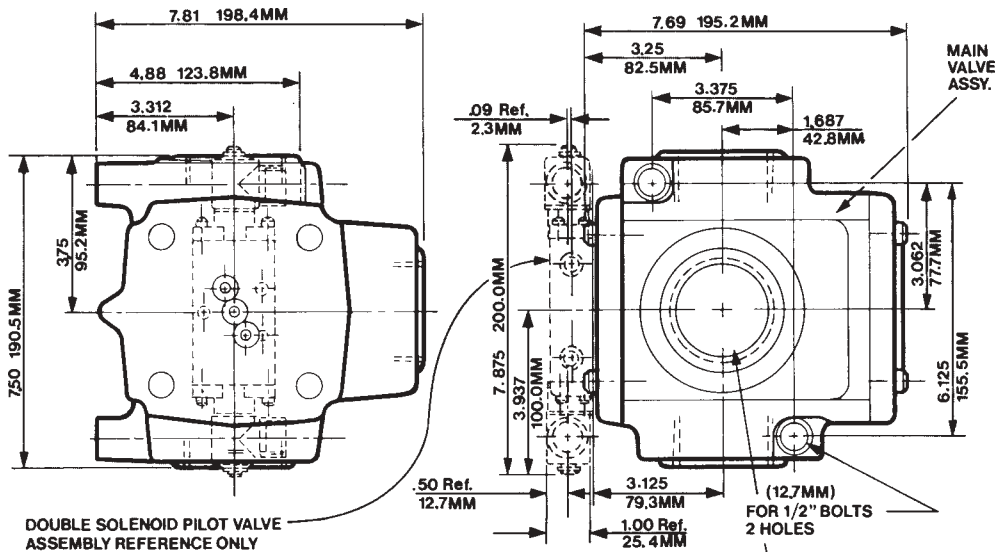
# ALKON

## BIG BAZOOKA

BIG BAZOOKA with a Cv of 45 offers a large enough flow rating to safely control a complete industrial air system. For example: In solenoid operation, it could be held in an energized position, feeding air to a complete automation system. Should the system's main disconnect be moved to the off position, BIG BAZOOKA shuts off and bleeds the complete system. BIG BAZOOKA is also available manually operated with safety lock or air pilot operated.



### MAIN VALVE 2 or 3 Way Function



**CAUTION!!**  
Air exhaust of this capacity can be dangerous. Installation of an Alkon silencer will protect personnel and keep the exhaust sound level within OSHA standards.

### Compare These Alkon Features...

Full ported and rated. Basic minimum orifice; 2.06 inches.

Versatile - can be piped for 6 different applications.

Closed crossover design prevents crossbleeding and allows complete versatility in piping.

Pilot valve design allows complete design & application freedom.

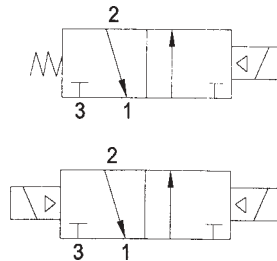
Unique orifice arrangement provides extremely compact design with maximum flow.

### Solenoid Operated

The solenoid pilot valve operator provides remote electrical operation of the main valve assembly.

- SINGLE MAINTAINED CONTACT
- DOUBLE MOMENTARY CONTACT

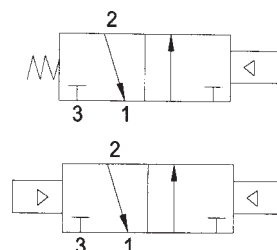
#### ANSI SYMBOLS



### Pilot Operated

The air operated pilot valve provides remote operation of the main valve assembly without any electrical interface, from any manual, mechanical or remote valve pilot signal.

- SINGLE MAINTAINED CONTACT
- DOUBLE MOMENTARY CONTACT



"Thin Lip" spool seal design provides negligible breakout friction and fast response.

Solenoid models: Solenoid pilot assembly.

Can be line or foot mounted in any position.

External pilot can be supplied for low pressure and vacuum applications.