



### NICKEL PLATED FITTINGS

Nickel plated fittings provide service under harsh conditions for many years to come.

The lustrous finish will enhance the appearance of any machinery and add a glow of quality.

Nickel plated fittings come with pre-applied thread sealant to save installation labor.

To order , just replace "P" or "PS" in series AQ part number, with "N" or "NS".

### O'Rings Options

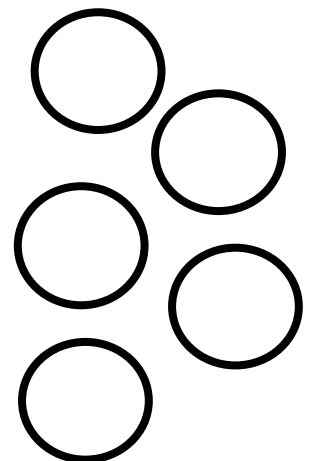
#### VITON "O" RING SEALS IN SERIES AQ FITTINGS

Viton is available from stock in a selected assortment of parts and can be installed in any Series AQ Fitting.

To order , just replace "P" or "PS" in series AQ part number, with "V" or "VS".

#### AFLAS , EPR, EPDM and other "O" RING SEALS IN SERIES AQ FITTINGS

Consult Alkon for availability.





**SERIES MQ - Manifolds**

**QUICK CONNECT**  
Simply push tubing in,  
no tools.

**QUICK DISCONNECT**  
Hold two fingers on  
insert and pull tubing out,  
no tools required.

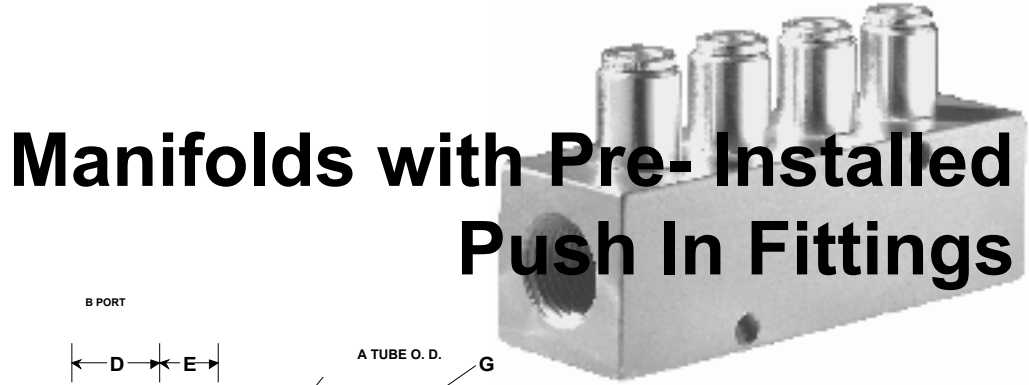
**FULL FLOW DESIGN**  
Provides up to 60% more  
flow area than  
conventional fittings with  
internal support.

**TOP AND SIDE  
MOUNTING HOLES**  
Standard.

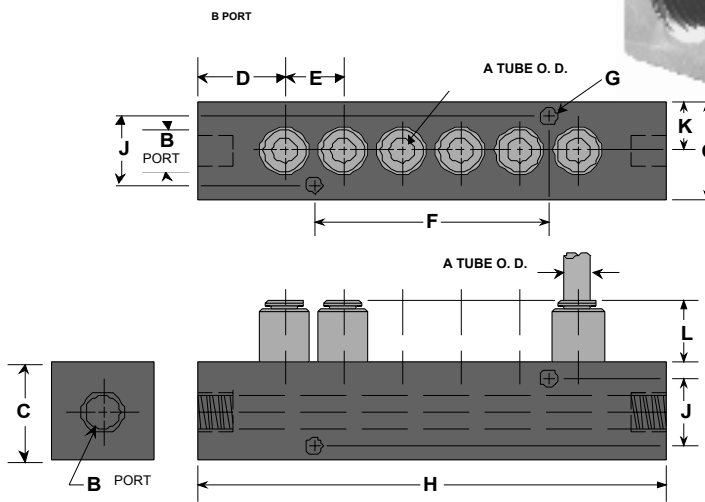
**ANODIZED ALUMINUM  
MANIFOLDS**  
Offer excellent corrosion  
resistance.

**FIVE TUBE "O.D."  
SIZES**  
On stock manifolds.

**CUSTOMIZED  
MANIFOLDS**  
Different O.D. tube sizes,  
pipe plug, barb  
connectors and other  
requirements can be  
integrated into one  
manifold to solve  
problems. Example on  
Page 22.



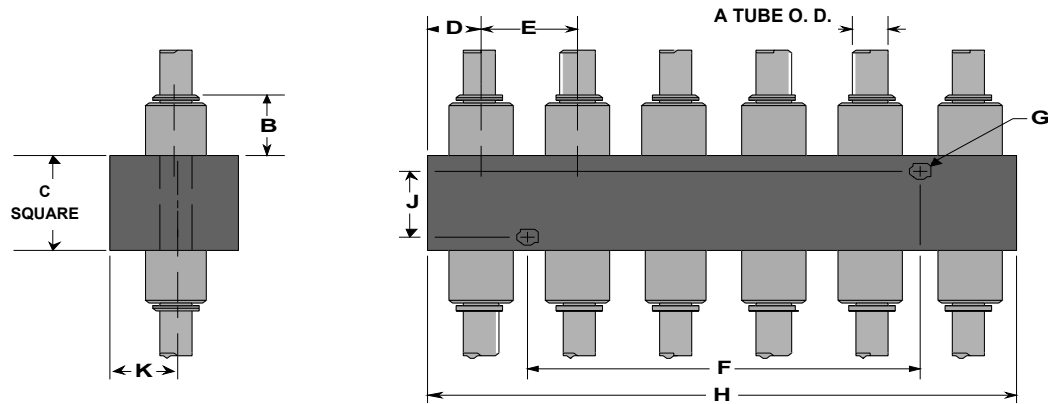
# Manifolds with Pre-Installed Push In Fittings



MQ22 MANIFOLDS WITH PUSH-IN FITTINGS												
PART No.	No. OUTLETS	A TUBE O.D.	B PIPE THREAD	C	D	E	F	G	H	J	K	L
MQ22-2X4-4	4	1/8	1/4	1.00Sq.	0.50	0.75	1.50	0.17	3.25	0.70	0.50	0.47
MQ22-2X4-6	6	1/8	1/4	1.00Sq.	0.50	0.75	3.00	0.17	4.75	0.70	0.50	0.47
MQ22-2X4-8	8	1/8	1/4	1.00Sq.	0.50	0.75	4.50	0.17	6.25	0.70	0.50	0.47
MQ22-2X4-10	10	1/8	1/4	1.00Sq.	0.50	0.75	6.00	0.17	7.75	0.70	0.50	0.47
MQ22-5/32X4-4	4	5/32	1/4	1.00Sq.	0.50	0.75	1.50	0.17	3.25	0.70	0.50	0.47
MQ22-5/32X4-6	6	5/32	1/4	1.00Sq.	0.50	0.75	3.00	0.17	4.75	0.70	0.50	0.47
MQ22-5/32X4-8	8	5/32	1/4	1.00Sq.	0.50	0.75	4.50	0.17	6.25	0.70	0.50	0.47
MQ22-5/32X4-10	10	5/32	1/4	1.00Sq.	0.50	0.75	6.00	0.17	7.75	0.70	0.50	0.47
MQ22-3X4-4	4	3/16	1/4	1.00Sq.	0.50	0.75	1.50	0.17	3.25	0.70	0.50	0.57
MQ22-3X4-6	6	3/16	1/4	1.00Sq.	0.50	0.75	3.00	0.17	4.75	0.70	0.50	0.57
MQ22-3X4-8	8	3/16	1/4	1.00Sq.	0.50	0.75	4.50	0.17	6.25	0.70	0.50	0.57
MQ22-3X4-10	10	3/16	1/4	1.00Sq.	0.50	0.75	6.00	0.17	7.75	0.70	0.50	0.57
MQ22-4X6-4	4	1/4	3/8	1.13 Sq.	0.63	0.75	1.50	0.18	3.50	0.85	0.56	0.67
MQ22-4X6-6	6	1/4	3/8	1.13 Sq.	0.63	0.75	3.00	0.18	5.00	0.85	0.56	0.67
MQ22-4X6-8	8	1/4	3/8	1.13 Sq.	0.63	0.75	4.50	0.18	6.50	0.85	0.56	0.67
MQ22-4X6-10	10	1/4	3/8	1.13 Sq.	0.63	0.75	6.00	0.18	8.00	0.85	0.56	0.67
MQ22-6X6-4	4	3/8	3/8	1.13 Sq.	0.63	0.75	1.50	0.18	3.50	0.85	0.56	0.95
MQ22-6X6-6	6	3/8	3/8	1.13 Sq.	0.63	0.75	3.00	0.18	5.00	0.85	0.56	0.95
MQ22-6X6-8	8	3/8	3/8	1.13 Sq.	0.63	0.75	4.50	0.18	6.50	0.85	0.56	0.95
MQ22-6X6-10	10	3/8	3/8	1.13 Sq.	0.63	0.75	6.00	0.18	8.00	0.85	0.56	0.95

**MQ23 UNION MANIFOLDS**

PART No.	NO. OF STATIONS	NO. OF OUTLETS	A TUBE O.D.	B	C	D	E	F	G	H	J	K
MQ23-2-6	6	12	1/8	0.473	.750 Sq.	0.312	0.625	2.50	0.173	3.75	0.450	0.375
MQ23-5/32-6	6	12	5/32	0.473	.750 Sq.	0.312	0.625	2.50	0.173	3.75	0.450	0.375
MQ23-3-6	6	12	3/16	0.571	.750 Sq.	0.312	0.625	2.50	0.173	3.75	0.450	0.375
MQ23-4-6	6	12	1/4	0.669	1.00 Sq.	0.375	0.750	3.00	0.173	4.50	0.700	0.500
MQ23-6-6	6	12	3/8	0.950	1.00 Sq.	0.375	0.750	3.00	0.173	4.50	0.700	0.500



**MQ24 UNION TEE MANIFOLDS**

PART No.	No. STATIONS	No. OUTLETS	A TUBE O.D.	B	C	D	E	F	G	H	J	K	L
MQ24-2-6	6	18	1/8	0.473	.750 Sq.	0.312	0.625	2.50	0.173	3.75	0.450	0.375	0.375
MQ24-5/32-6	6	18	5/32	0.473	.750 Sq.	0.312	0.625	2.50	0.173	3.75	0.450	0.375	0.375
MQ24-3-6	6	18	3/16	0.571	.750 Sq.	0.312	0.625	2.50	0.173	3.75	0.450	0.375	0.375
MQ24-4-6	6	18	1/4	0.669	1.00 Sq.	0.375	0.750	3.00	0.173	4.50	0.700	0.500	0.500
MQ24-6-6	6	18	3/8	0.950	1.00 Sq.	0.375	0.750	3.00	0.173	4.50	0.700	0.500	0.500

