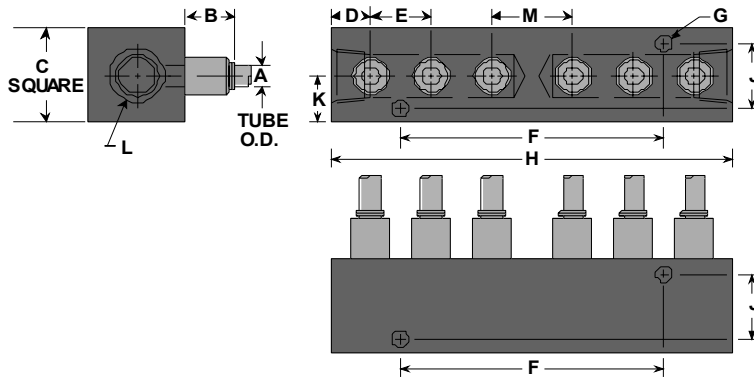




SERIES MQ - Manifolds

MQ25 DUAL PRESSURE MANIFOLDS

PART No.	STATIONS / OUTLETS	A O.D.	B	C	D	E	F	G	H	J	K	L	M
MQ25-2X4-6	6 / 6	1/8	0.473	1.00 Sq	0.500	0.625	2.88	0.173	4.50	0.700	0.500	1/4 NPT	1.00
MQ25-5/32X4-6	6 / 6	5/32	0.473	1.00 Sq	0.500	0.625	2.88	0.173	4.50	0.700	0.500	1/4 NPT	1.00
MQ25-3X4-6	6 / 6	3/16	0.571	1.00 Sq	0.500	0.625	2.88	0.173	4.50	0.700	0.500	1/4 NPT	1.00
MQ25-4X6-6	6 / 6	1/4	0.669	1.25 Sq.	0.500	0.750	3.25	0.203	5.00	0.890	0.625	3/8 NPT	1.00
MQ25-6X6-6	6 / 6	3/8	0.950	1.25 Sq.	0.500	0.750	3.25	0.203	5.00	0.890	0.625	3/8 NPT	1.00



CUSTOMIZED MANIFOLDS

Example shown is an actual part utilizing three different outside diameter Series "AQ" Push-In Fittings on two planes and pipe plug on one end.

Custom manifold design are only limited by the imagination of the designer - contact Alkon for design assistance.



CUSTOM MANIFOLD

