

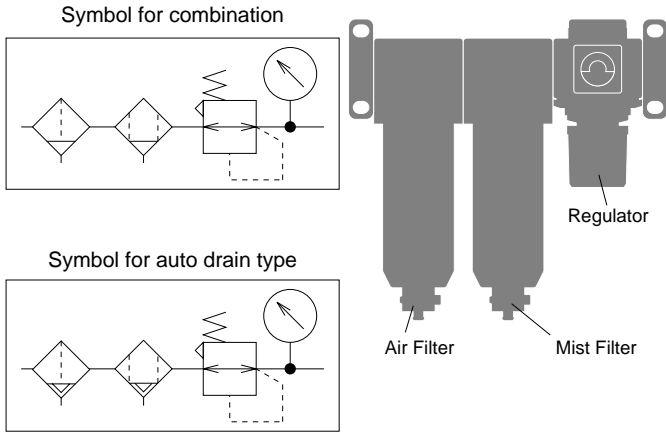
# Filter & Regulator Combination Unit

## Characteristics

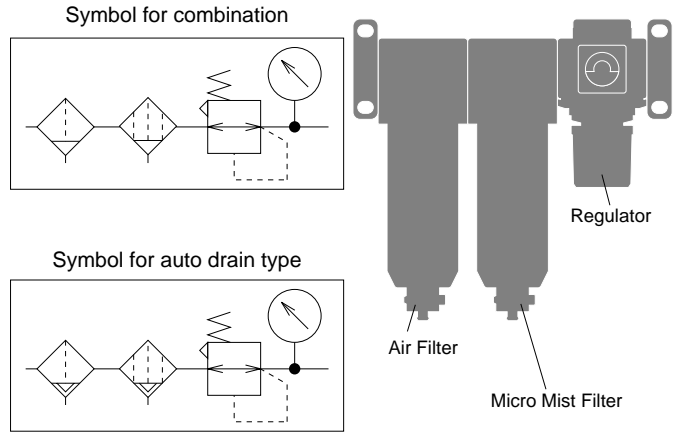
■ This modular type unit offers a rich variety of combinations and features easy maintenance.

## Characteristics

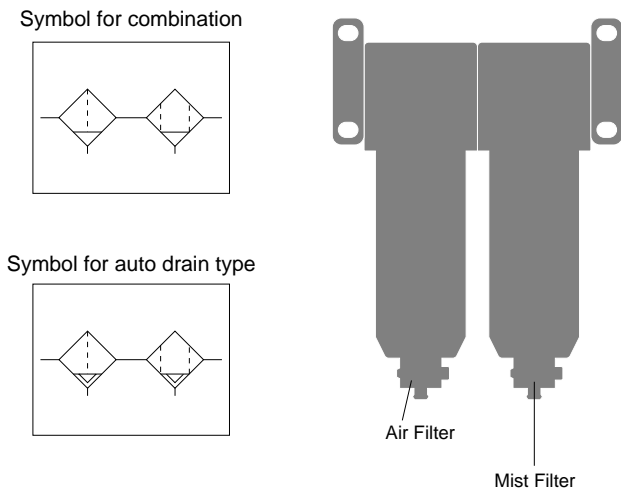
### **UADR** Air Filter, Mist Filter and Regulator



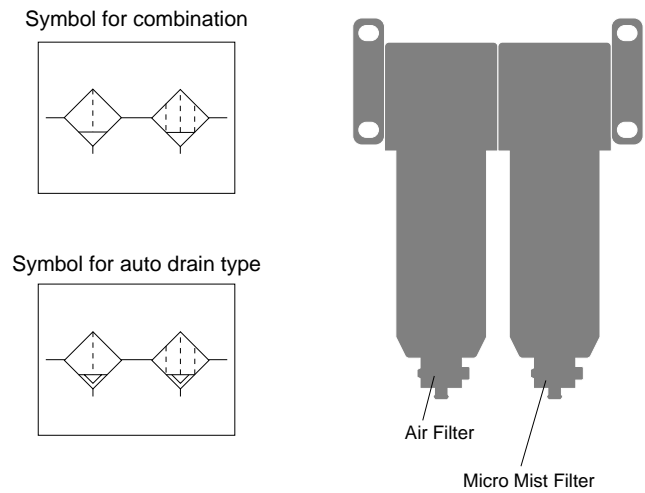
### **UAMR** Air Filter, Micromist Filter and Regulator



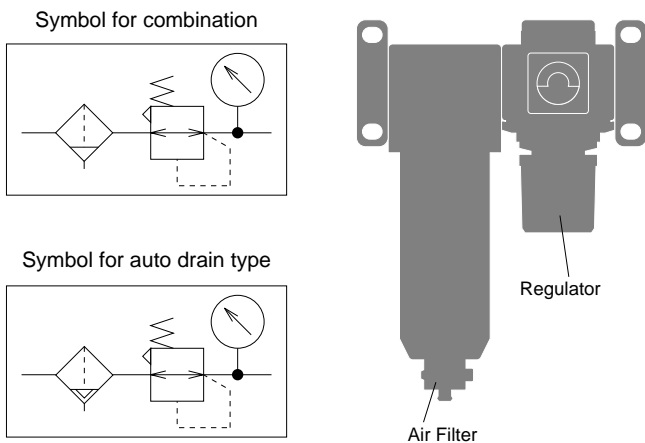
### **UAD** Air Filter and Mist Filter



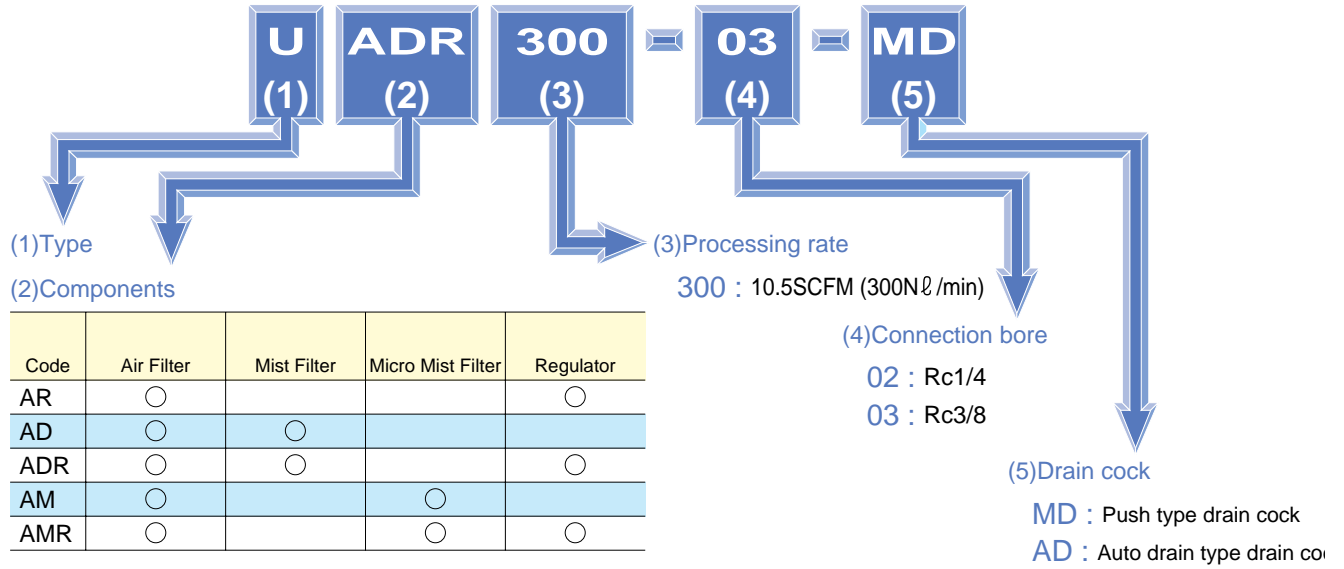
### **UAM** Air Filter and Micromist Filter



### **UAR** Air Filter and Regulator

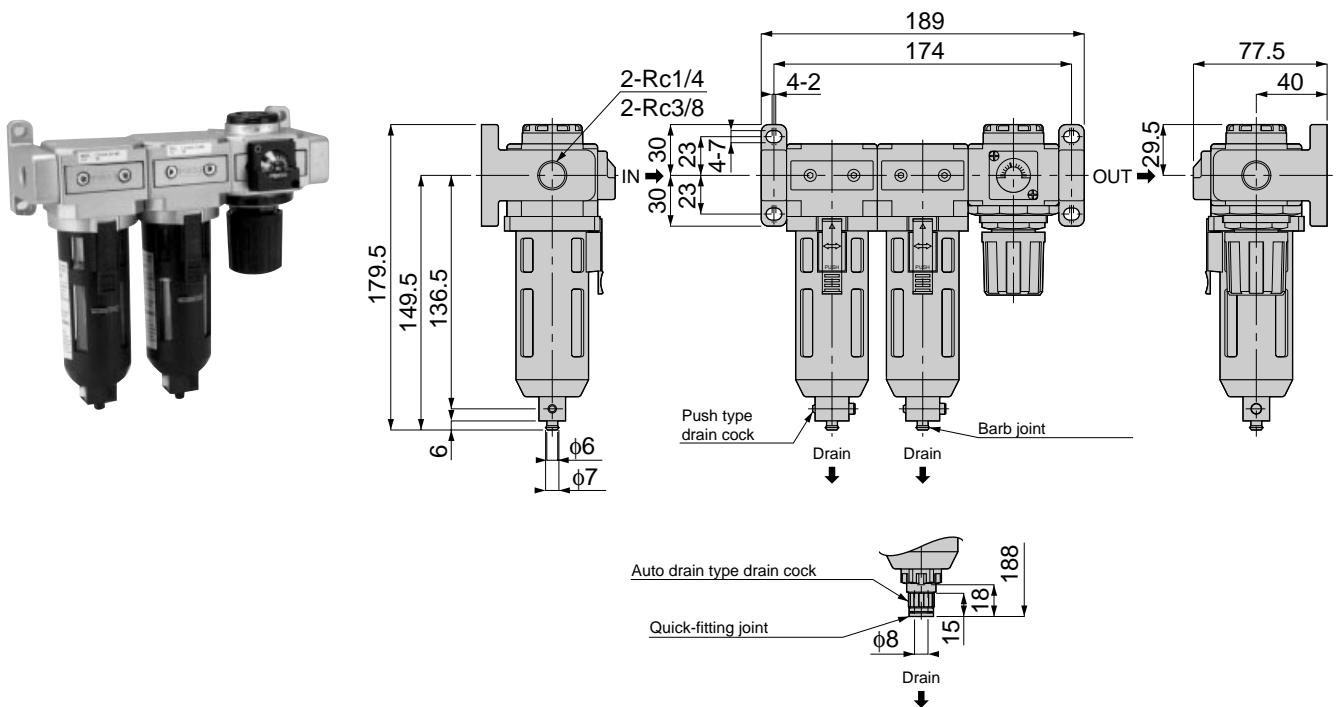


Model Designation (Example)



**UADR**  
Air Filter, Mist Filter and Regulator

**UAMR**  
Air Filter, Micromist Filter and Regulator



Unit: mm

Model	Weight (g)	
	(*) 02	(*) 03
UADR 300-□-MD	1179.5	1172.5
UADR 300-□-AD	1208.5	1201.5

(\*) Connection bore

Unit: mm

Model	Weight (g)	
	(*) 02	(*) 03
UAMR 300-□-MD	1179.5	1172.5
UAMR 300-□-AD	1208.5	1201.5

(\*) Connection bore



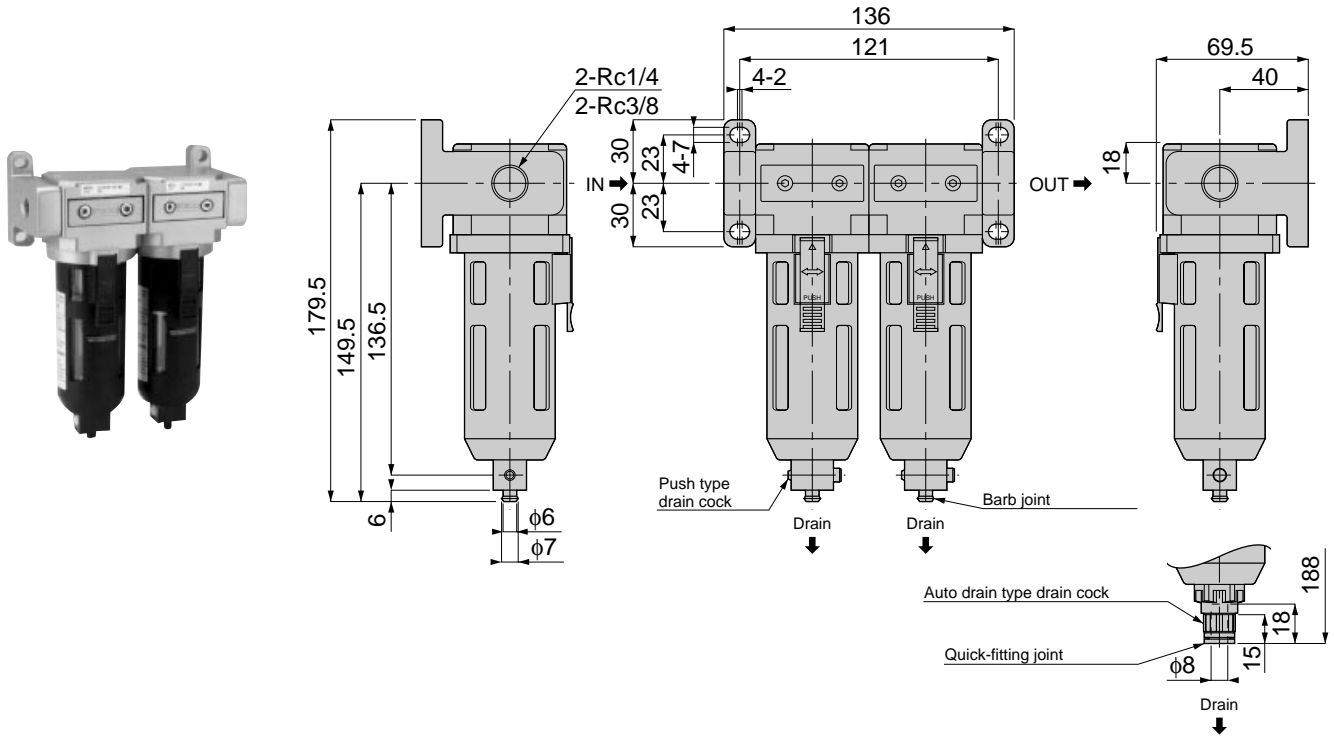
**UAD**

Air Filter and Mist Filter



**UAM**

Air Filter and Micromist Filter



Unit: mm

Model	Weight (g)	
	(* )02	(* )03
UAD 300-□-MD	812	805
UAD 300-□-AD	841	834

(\* ) Connection bore

Unit: mm

Model	Weight (g)	
	(* )02	(* )03
UAM 300-□-MD	812	805
UAM 300-□-AD	841	834

(\* ) Connection bore

