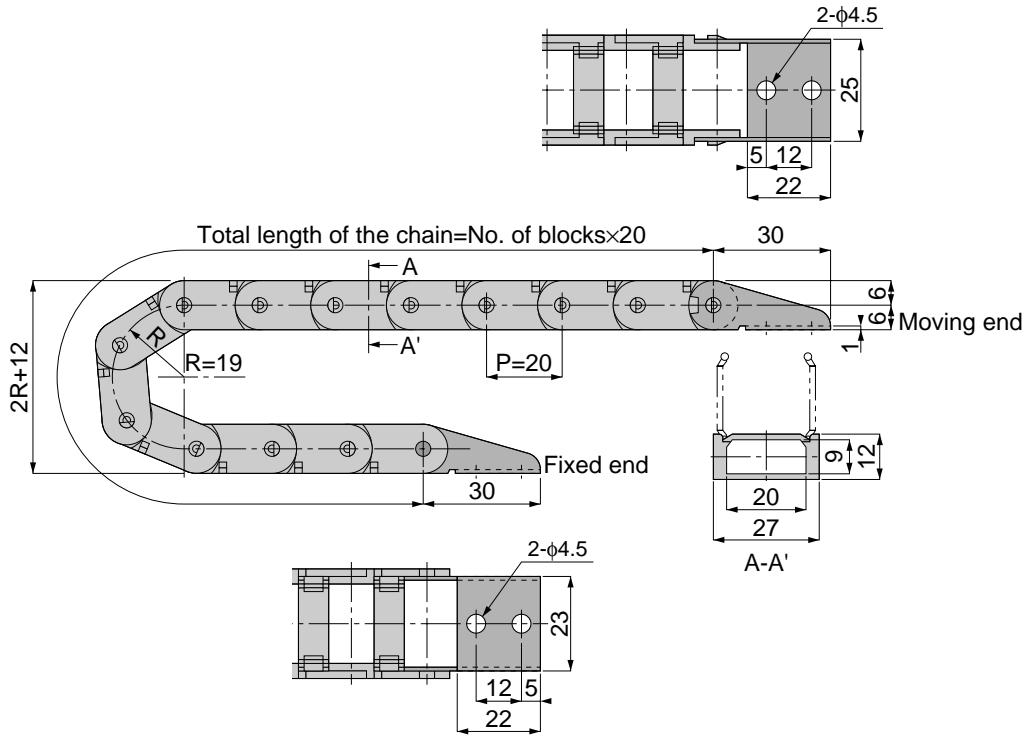


# Plarailchains Series HP Series

**HPU**  
102

Flap open & close type



**HPU**  
202 - 203

Flap open & close type



HPU 202-R

HPU 203-R

R: Minimum bending radius

