

Pneumatic Pressure Switch

Digital Pressure Sensor

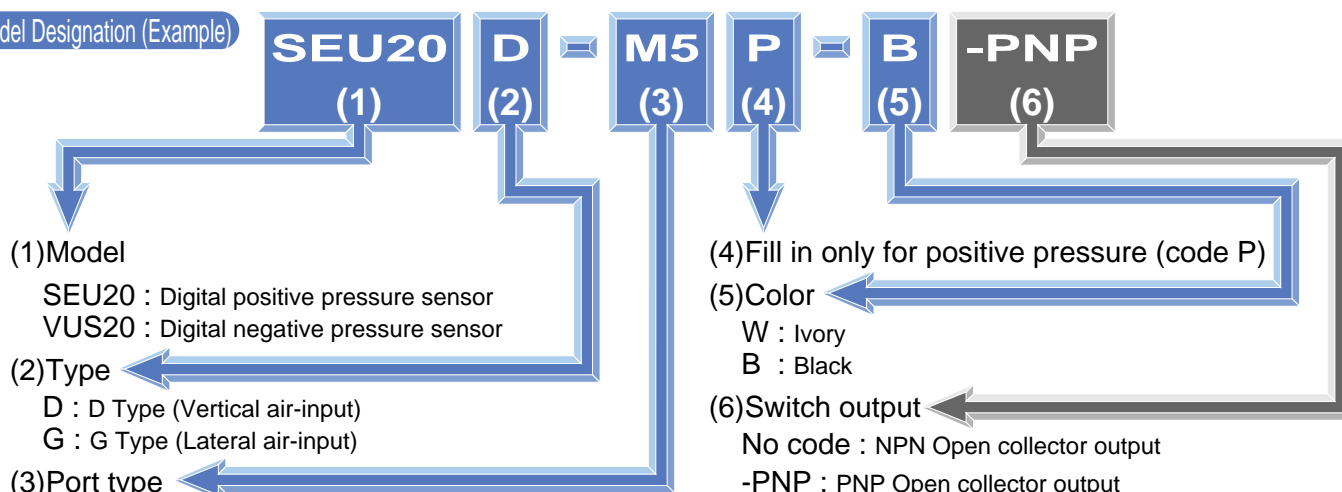
Features

- The compact body allows installation in limited space. Also, the orientation of the adjusting trimmer can be selected in consideration of the positional conditions.
- Pressure detection by an electronic switch assures stabilized accuracy.
- Cable is flexible. It can be unplugged from the sensor body.
- Set pressure and measured pressure indicated digitally.

Specification

Specification	VUS : Negative pressure	SEU : Positive pressure
Fluid admitted	Air , Inert gas	
Recommended tube	Nylon or Polyurethane tube	
Set value at shipment	-15.7in. Hg (-40cmHg)	72.5psi (0.5MPa)
Current consumption	NPN Open collector max.30mA	
	PNP Open collector max.40mA	
Pressure sensing mode	Diffused semi-conductor pressure switch	
Service pressure range	0~-30in. Hg (0~-0.1MPa)	0~130psi (0~0.9MPa)
Setting pressure range	0~-30in. Hg (0~-0.1MPa)	0~145psi (0~1MPa)
Proof pressure	29psi (0.2MPa)	191psi (1.32MPa)
Storage temperature range	-4~158°F (-20~70°C)	
Operation temperature range	32~122°F (0~50°C) (No freezing)	
Operation humidity range	35~95%RH (No freezing)	
Power supply	DC12~24V±10% Ripple (P-P)5% or below	
Protective structure	IEC Standard IP40 equivalent	
No.of pressure setting	1	
Accuracy	±3%F.S.max(at Ta=25°C)	
Hysterisis	0.5~10%F.S. (Adjustable by hysterisis trimmer)	
Switch output	NPN open collector 28V 80mA max Residual 1V or below PNP open collector Power source voltage 80mA max voltage 1V or below	
Response	2m · sec max	
Indication	2·1/2 Digits LCD Display	
	Measured pressure (MEAS) or set pressure (SET)(select by switch)	
No. of indication	About 4 times/sec	
Indication accuracy	±3%F.S. ±2%digit	
Operation indication	N.O.Red LED is on when pressure is above set point	
	N.C.Red LED is off when pressure is above set point	
Function	1. Indication selector switch (MEAS or SET) 2. Output selector switch (N.O. or N.C.) 3. Hysterisis setting trimmer (2/3 turn adjusts 0.5-10%F.S.) 4. Pressure setting trimmer (2/3 turn)	

Model Designation (Example)



Port type	Metric thread	Taper pipe thread	Tube dia.			Direct-mount
Code	M5	O1	4	6	8	F
Size	M5×0.8	R1/8	φ4mm	φ6mm	φ8mm	-