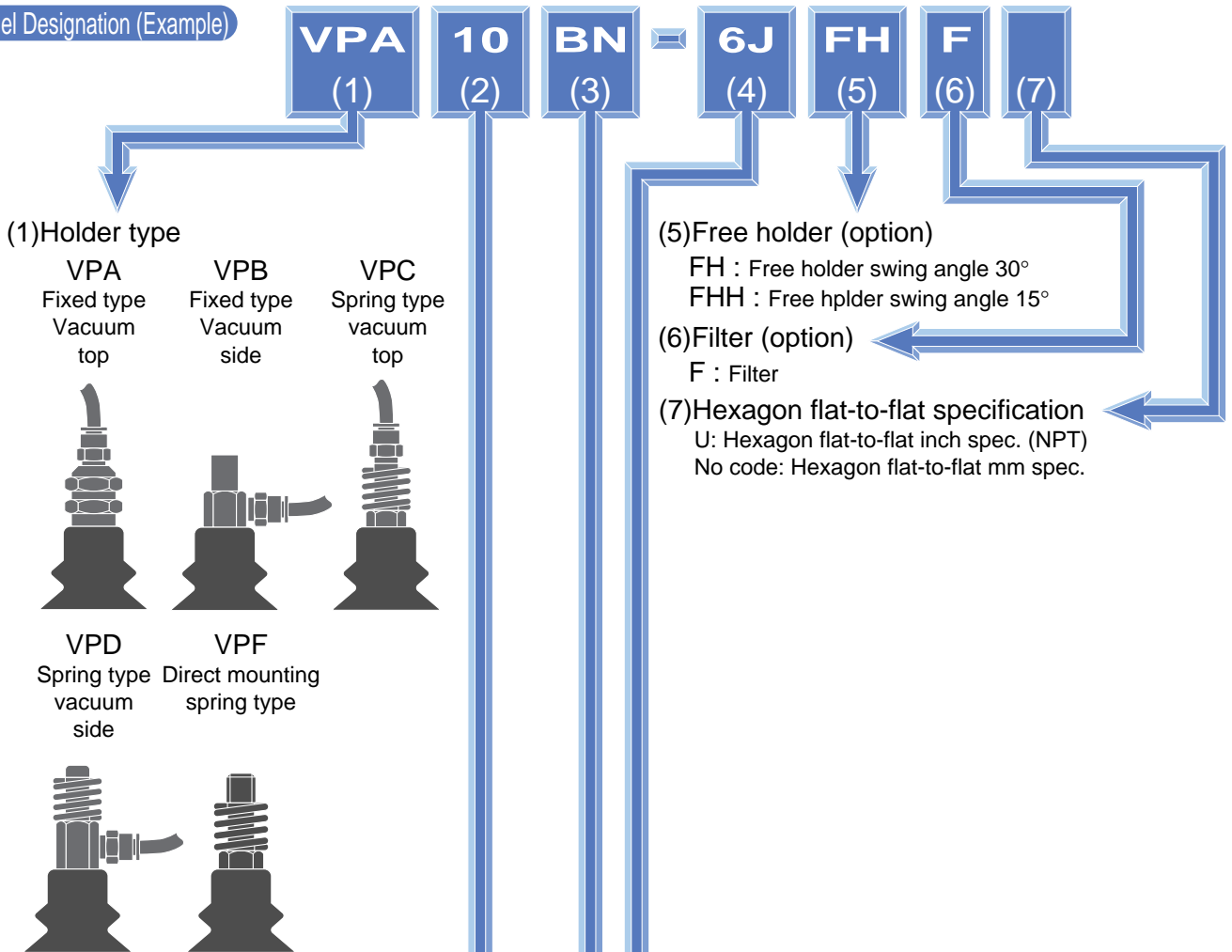


# Quick-fitting Type Vacuum Pad Vacuum Pad Bellows Type

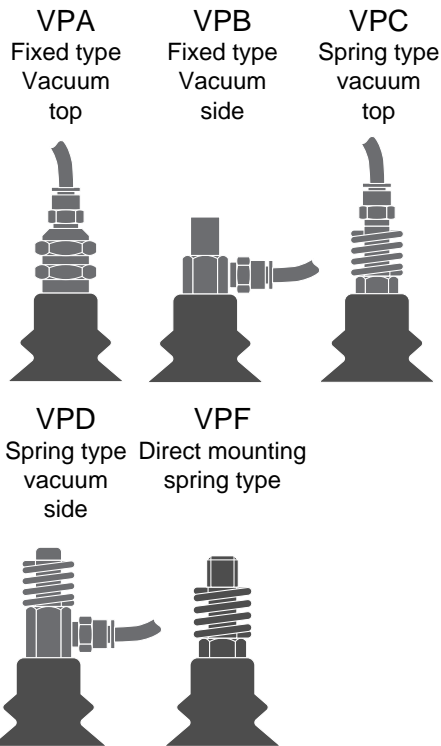
## Features

- The bellows-type vacuum pad can hold extremely soft works such as paper or vinyl. It also displays the feature of an oscillating pad.
  - ◆ Pad dia. :  $\phi 10 \sim \phi 80 \text{mm} (\phi 0.39 \sim \phi 3.15 \text{in.})$
  - ◆ Pad material : Nitrile rubber
  - ◆ Holder type : 5 types

## Model Designation (Example)



### (1) Holder type



### (5) Free holder (option)

FH : Free holder swing angle 30°  
FHH : Free holder swing angle 15°

### (6) Filter (option)

F : Filter

### (7) Hexagon flat-to-flat specification

U : Hexagon flat-to-flat inch spec. (NPT)  
No code: Hexagon flat-to-flat mm spec.

### (2) Pad dia.

Code		10	20	30
dia.	mm	$\phi 10$	$\phi 20$	$\phi 30$
	inch	0.39	0.79	1.18
Code		40	50	80
dia.	mm	$\phi 40$	$\phi 50$	$\phi 80$
	inch	1.57	1.97	3.15

### (3) Pad material (type)

BN : Nitrile rubber (bellows type)  
BS : Silicon rubber (bellows type)

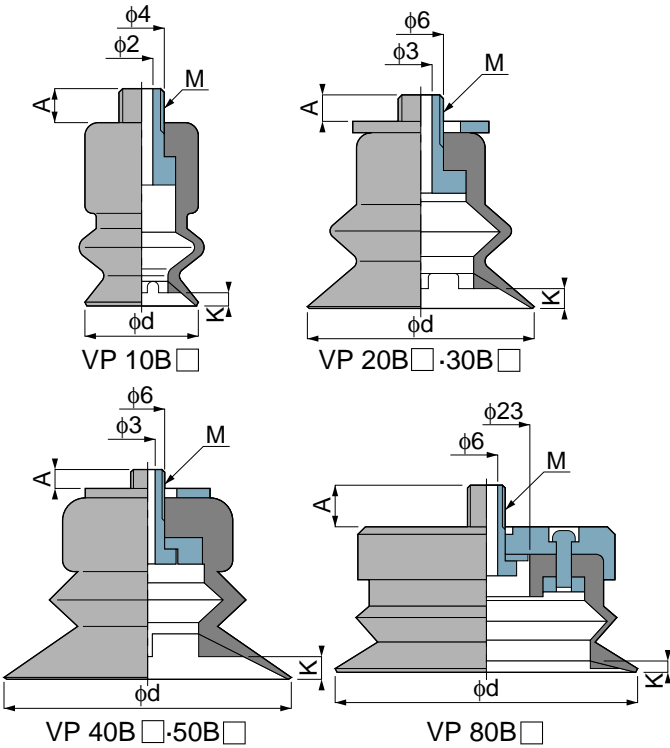
### (4) Joint size and type

Joint type	Quick-fitting joint		Female thread	
Code	6J	1/4J	01	N1
Size(O.D.xI.D.)	6mmx4mm	$\phi 1/4 \text{in.}$	Rc1/8	NPT1/8
Pad dia.	$\phi 10 \text{mm} \sim \phi 50 \text{mm}$		$\phi 80 \text{mm}$	

**⚠ Detailed Safety Instructions**

Before using the PISCO device, be sure to read the "Safety Instructions", "Common Safety Instructions for Products Listed in This Manual" on pages 23~24 and "Common Safety Instructions for Vacuum Pads" on pages 439~440.

● Pad mounting shape



unit:mm

Type	Pad outer dia. $\phi d$	M	A	K
VP 10B□	10	M4×0.7	3	1
VP 20B□	20	M6×1	4	1.5
VP 30B□	30	M6×1	5	2.5
VP 40B□	40	M6×1	7	3
VP 50B□	50	M6×1	7	4
VP 80B□A	80	M10×1.5	4.5	2

\*Adding "A" to the end of code signifies frame attached.