

Quick-fitting Type Vacuum Pad

Vacuum Pad Long Stroke

Features


- This Vacuum Pad can hold parts or material pieces even when the distance from the pad to them varies.
- ◆ Pad dia. : $\phi 4$ to $\phi 50$ mm($\phi 0.16$ ~ 1.97 in.)
- ◆ Pad material: Nitrile rubber, silicon rubber, urethan rubber, fluoric rubber
- ◆ Pad type: 2 types(general-type, deep-type)
- ◆ Holder shape: 2 types
- ◆ Stroke: 10 to 50mm($\phi 0.39$ ~ 1.97 in.)

Model Designation(Example)

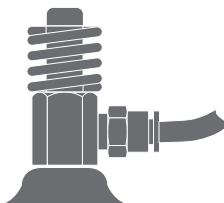
VPA 40 20 RN 6J C (1) (2) (3) (4) (5) (6) (7) (8)

(1)Holder type

VPC
Spring type vacuum top



VPD
Spring type vacuum side



(2)Pad dia.

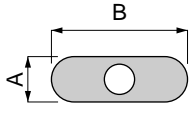
■ Standard type

Code	4	6	8	10	15	20	25	30	40	50
dia. mm	$\phi 4$	$\phi 6$	$\phi 8$	$\phi 10$	$\phi 15$	$\phi 20$	$\phi 25$	$\phi 30$	$\phi 40$	$\phi 50$
inch	0.16	0.24	0.31	0.39	0.59	0.79	0.98	1.18	1.57	1.97

■ Sponge type

Code	10	15	20	25	30	35	50
dia. mm	$\phi 10$	$\phi 15$	$\phi 20$	$\phi 25$	$\phi 30$	$\phi 35$	$\phi 50$
inch	0.39	0.59	0.79	0.98	1.18	1.38	1.97

■ Oval type



		B		
A		10mm(0.39in.)	20mm(0.79in.)	30mm(1.18in.)
4mm(0.16in.)		4×10	4×20	4×30
5mm(0.2in.)		5×10	5×20	5×30
6mm(0.24in.)		6×10	6×20	6×30
8mm(0.31in.)		-	8×20	8×30

■ Bellows type

Code	10	20	30	40	50
dia. mm	$\phi 10$	$\phi 20$	$\phi 30$	$\phi 40$	$\phi 50$
inch	0.39	0.79	1.18	1.57	1.97

(3)Stroke

Code	10	15	20	30	40	50
Stroke	10mm	15mm	20mm	30mm	40mm	50mm
	0.39in.	0.59in.	0.79in.	1.18in.	1.57in.	1.97in.

(4)Pad rubber material

■ Standard type

Pad type	Nitrile rubber	Silicon rubber
Code general type	RN	RS
deep type	AN	AS
Pad type	Urethane rubber	Fluoric rubber
Code general type	RU	RF
deep type	AU	AF

■ Sponge type
S : Sponge pad

■ Oval type
EN : Nitrile rubber

■ Bellows type
BN : Nitrile rubber

(5)Joint size

Joint type	Quick-fitting Joint
Code	4J
Size(O.P.xI.P.)	4×2.5mm(0.16~0.26in.)
Pad dia.	$\phi 4$ ~ $\phi 8$ mm($\phi 0.16$ ~ $\phi 0.31$)
Joint type	Quick-fitting Joint
Code	6J
Size(O.P.xI.P.)	6×4mm(0.24~0.16in.)
Pad dia.	$\phi 10$ ~ $\phi 50$ mm($\phi 0.39$ ~ $\phi 1.97$)

(6)Spring

No code : with cover(Stroke10mm~20mm)
C : Without cover(Stroke20mm~50mm)

(7)Free holder(Optional)

FH : Free holder swing angle 30°
FHH : Free holder swing angle 15°

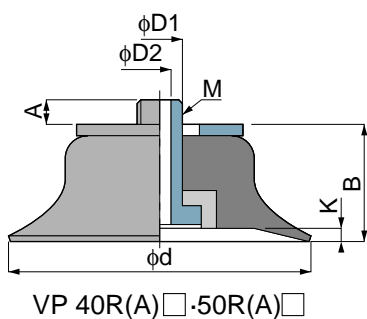
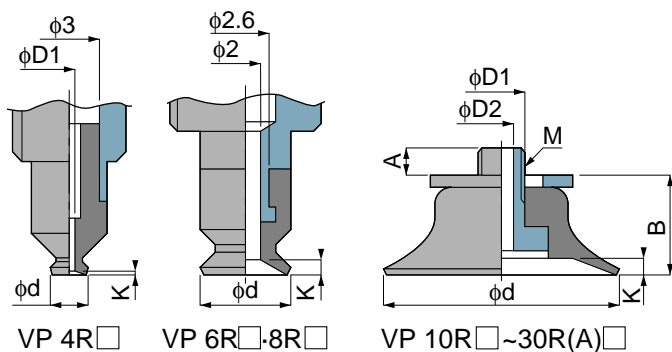
(8)Filter(Optional)

F : Filter

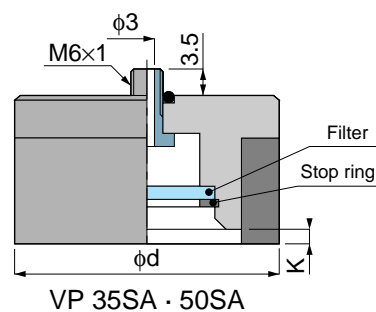
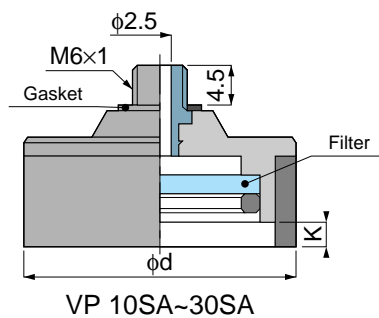
⚠ Detailed Safety Instruction

Before using the PISCO device, be sure to read the "Safety Instructions", "Common Safety Instructions for Products Listed in This Manual" on page 23~24 and "Common Safety Instructions for Vacuum Pads on page 439~440.

● Standard pad mounting shape



● Sponge pad mounting shape



Type	Pad outer dia. φd	φD1	φD2	M	A	B	K
VP 4R	4	1.2	-	-	-	-	0.3
VP 6R	6	-	-	-	-	-	0.5
VP 8R	8	-	-	-	-	-	1
VP 10R	10	4	2	M4×0.7	3	8	1
VP 15R(A)	15	4	2	M4×0.7	3	9(10)	1.5(3)
VP 20R(A)	20	6	3	M6×1	2.4	11.5(12.5)	2(3)
VP 25R(A)	25	6	3	M6×1	2.4	12.5(13.5)	2.5(4)
VP 30R(A)	30	6	3	M6×1	3.4	12.5(15.5)	2(4.5)
VP 40R(A)	40	6	3	M6×1	4.2	15.5(19)	2(4.5)
VP 50R(A)	50	6	3	M6×1	4.2	16.5(19.5)	2(6.5)

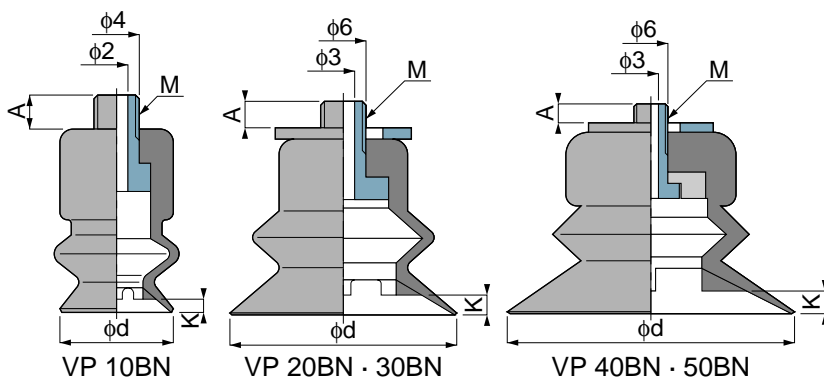
unit:mm

Type	Pad outer dia. φd	K
VP 10SA	10	1.5
VP 15SA	15	1.5
VP 20SA	20	3
VP 25SA	25	3
VP 30SA	30	3
VP 35SA	35	3
VP 50SA	50	3

unit:mm

*Dimension inside () is that of deep pad.

● Bellows pad mounting shape



Type	Pad outer dia. φd	M	A	K
VP 10BN	10	M4×0.7	3	1
VP 20BN	20	M6×1	4	1.5
VP 30BN	30	M6×1	5	2.5
VP 40BN	40	M6×1	7	3
VP 50BN	50	M6×1	7	4

unit:mm