

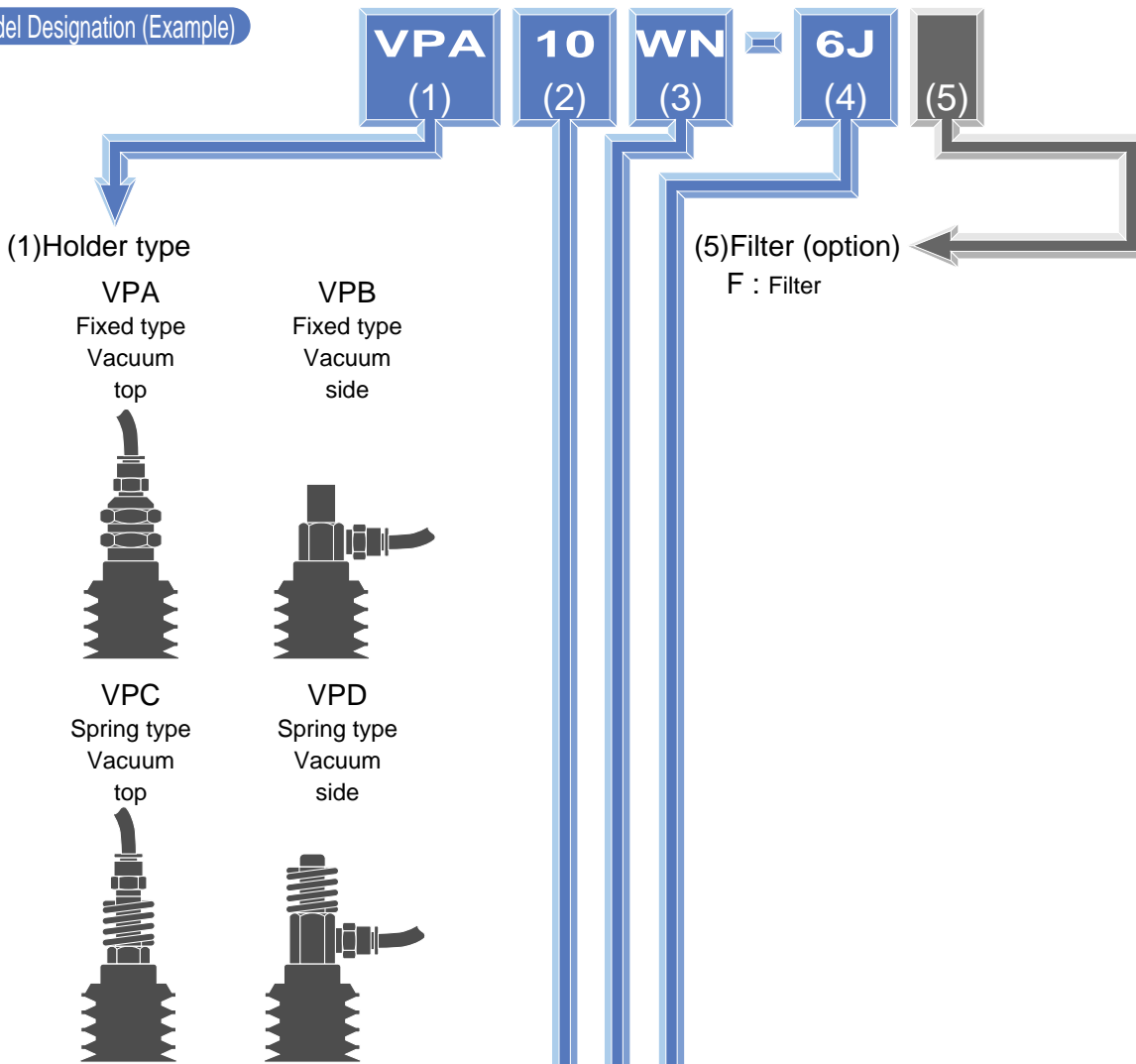


# Quick-fitting Type Vacuum Pad Vacuum Pad Multi-Bellows Type

## Features

- Flexibly used for conveyer of work with incline and vinyl bag package.
- Conform to standards for Food & Additives. Good for conveying food packages. (NBR suited the Food Sanitation Act.)
  - ◆ Pad dia :  $\phi 10\sim\phi 50\text{mm}(0.39\sim 1.97\text{in.})$
  - ◆ Pad materials : Nitrile rubber, Silicon rubber, NBR suited the Food Sautiation Act.
  - ◆ Holder type : 4 types

## Model Designation (Example)



Code	10	20	30	40	50
dia. mm	$\phi 10$	$\phi 20$	$\phi 30$	$\phi 40$	$\phi 50$
inch	0.39	0.79	1.18	1.58	1.97

- (3)Pad material (type)
- WN : Nitrile rubber (Multi-bellows type)
  - WS : Silicon rubber (Multi-bellows type)
  - WG : NBR suited the Food Sanitation Act (Multi-bellows type)

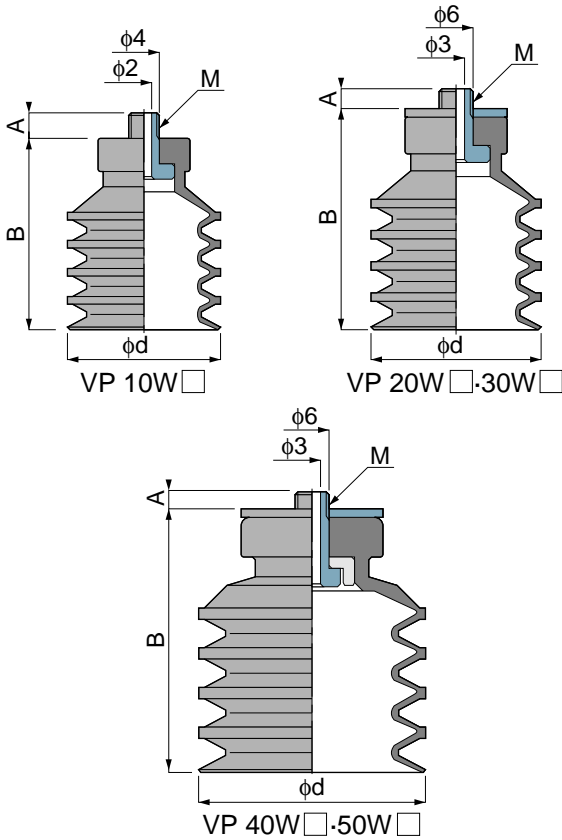
(4)Joint size and type

Joint type	Quick-fitting joint
Code	6J
Size(O.D.xI.D.)	6mm×4mm(0.24×0.16in.)
Pad dia	$\phi 10\text{mm}\sim\phi 50\text{mm}(\phi 0.39\sim\phi 1.97\text{in.})$

**⚠ Detailed Safety Instructions**

Before using the PISCO device, be sure to read the "Safety Instructions", "Common Safety Instructions for Products Listed in This Manual" on page 23~24 and "Safety Instructions", "Common Safety Instructions for Vacuum Pads" on page 439~440.

● Pad mounting shape



Unit : mm

Type	Pad outer dia φd	M	A	B
VP 10W □	10	M4×0.7	1.5	16
VP 20W □	20	M6×1	2.5	26.5
VP 30W □	30	M6×1	3.5	40
VP 40W □	40	M6×1	5.5	46.5
VP 50W □	50	M6×1	5.5	57.5