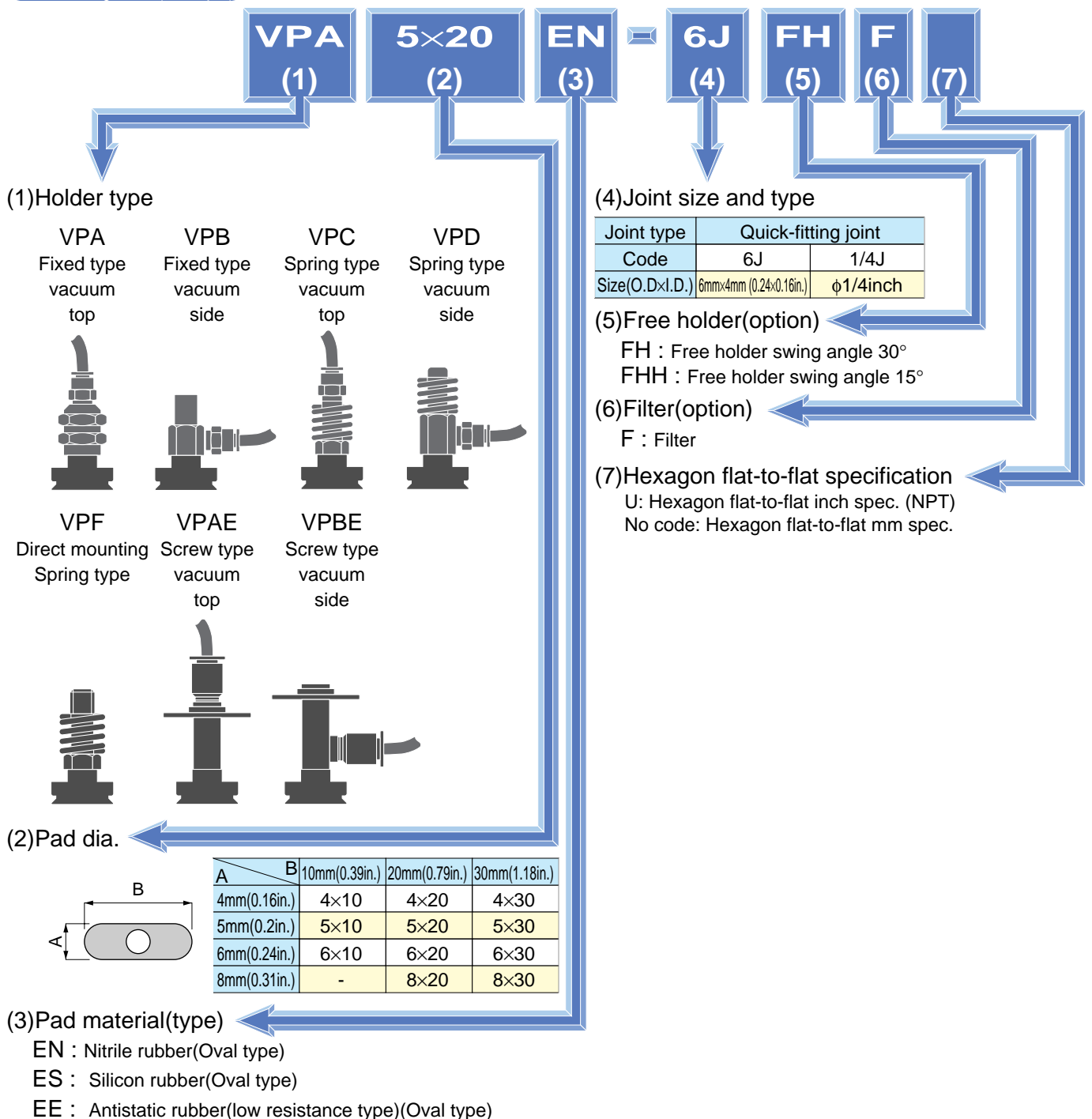


Quick-fitting type Vacuum pad Vacuum pad Oval Type

Features

- The elliptic pads are best suited to hold round bars or like works which have so far required two or more small pads.
- Antistatic rubber(low resistance type) is made up of butadiene rubber and pad surface resistance is below 200Ω. Plastic components of the holder is made up of antistatic resin.
 - ◆ Pad dia. : 11Types
 - ◆ Pad material : Nitrile rubber, Silicon rubber, Antistatic rubber(low resistance type)
 - ◆ Holder type : 7 Types

Model Designation(Example)



⚠ Detailed Safety Instruction

Before using the PISCO device, be sure to read the "Safetr Instructions", "Common Safety Instructions for Products Listed in This Manual" on page 23~24 and "Common Safety Instructions for Vacuum Pads on page 439~440.