

# Quick-fitting Type Vacuum Pad

## Vacuum Pad Soft Bellows Type

### Features

- The pad rubber displaying an excellent elasticity, these Vacuum Pad models can hold paper and like objects. They can also hold plastic products without leaving any marks.
- ◆ Pad dia :  $\phi 6 \sim \phi 20$ mm(0.24~0.79in.)
- ◆ Pad materials : Nitrile rubber, Silicon rubber
- ◆ Holder shape : 3 types

### Model Designation (Example)

VPHC  
(1)

10  
(2)

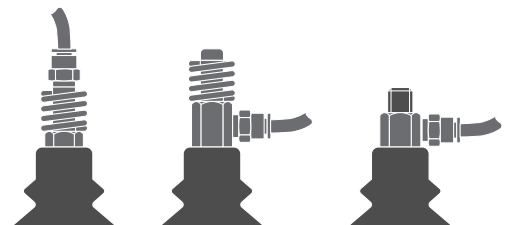
LBN  
(3)

6J  
(4)

(5)

(1)Holder type

VPHC	VPHD	VPHE
Spring type Vacuum port top	Spring type Vacuum port side	Direct mounting fixed type Vacuum port side



(3)Pad material

Code	LBN	LBS
Material	Nitrile rubber	Silicon rubber

(4)Joint size

Joint type	Quick-fitting joint
Code	6J
Size(O.D.xI.D.)	6mm×4mm(0.24~0.16in.)
Pad dia.	$\phi 6$ mm~ $\phi 20$ mm( $\phi 0.24 \sim \phi 0.79$ in.)

(5)Hexagon flat-to-flat specification  
U: Hexagon flat-to-flat inch spec. (NPT)  
No code: Hexagon flat-to-flat mm spec.

(2)Pad dia.

Code	6	8	10	15	20	
dia.	mm	$\phi 6$	$\phi 8$	$\phi 10$	$\phi 15$	$\phi 20$
	inch	0.24	0.31	0.39	0.59	0.79

### Model Designation for pad rubber

VP  
(1)

10  
(2)

LBN  
(3)

(1)Type

(2)Pad dia

Code	6	8	10	15	20	
dia.	mm	$\phi 6$	$\phi 8$	$\phi 10$	$\phi 15$	$\phi 20$
	inch	0.24	0.31	0.39	0.59	0.79

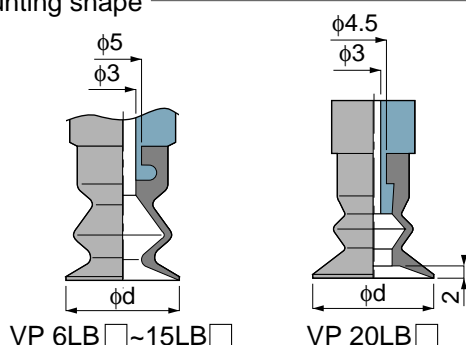
(3)Pad rubber material

Code	LBN	LBS
Material	Nitrile rubber	Silicon rubber

### ⚠ Detailed Safety Instructions

Before using the PISCO device, be sure to read the "Safety Instructions", "common Safety Instructions for Products Listed in This Manual" on page 23~24 and "Common Safety Instructions for Vacuum Pads on page 439~440.

### ● Pad mounting shape



unit : mm

Type	Pad outer dia $\phi d$
VP 6LB□	6
VP 8LB□	8
VP 10LB□	10
VP 15LB□	15
VP 20LB□	20